

## XBow

LayTec's XBow is a production in-situ metrology tool designed to measure wafer curvature. Dependent on the variant it can measure the curvature in X and Y direction as well as aspheric curvature.

## Features

### Curvature

- Wafer selective in-situ curvature measurement
- Asphericity measurements to obtain information on wafer curvature along two perpendicular directions: for systems with Advanced Resolution (AR)
- Reflectance compensation detection (RCD) for enhanced dynamic range

### Communication / Integration

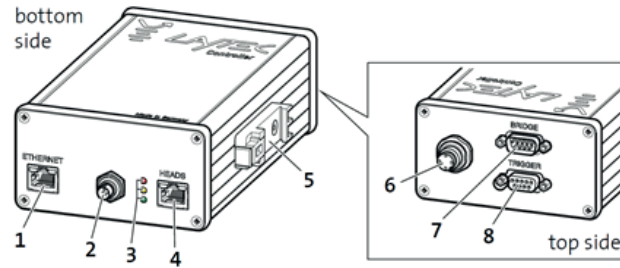
- Optimized for 24 h / 7 day operation in production environment
- Measurements on single and multiple wafers (rotating or non-rotating)
- Wobble compensating optics
- Data exchange with growth system control computer via TCP/IP protocol-based software interface. Pre-configurations for different growth systems.
- Remote controllable

### Measurable growth parameters

Parameter	XBow
Curvature range*/ typical accuracy	-7000 (convex) to +750 (concave) ± 0.5 (asphericity: ± 0.3) (optional)

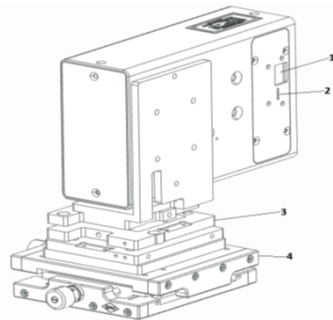
## System components

### Base Unit



- 1. Ethernet socket
- 2. Triad 5-pin socket
- 3. Status LEDs
- 4. Heads RJ45 socket
- 5. Top-hat rail adapter
- 6. 4-pin M12 power supply socket
- 7. Bridge socket
- 8. Trigger socket

### Measurement head



- 1. J45 Socket
- 2. status LEDs
- 3. tilting unit
- 4. lifting unit

## Description of the parts

**XBow optical head for curvature measurements** – Depending on your application, the curvature measurement is performed by a red or a blue light sources

Light source	Curvature Semiconductor laser	
Standard wavelenghts and bandwidth (nm)	405 (blue)	670 (red)
Life-time according to manufacturer (h)	>10 000	>20 000

Specifications are subject to further technical development and may differ from those given in the data sheet. In certain cases, performance may be limited by reactor type and/or growth conditions. Please consult our technical sales team to see how LayTec metrology can best serve your specific application.

For further information please contact:

**LayTec AG**  
 Seesener Str. 10-13  
 10709 Berlin, Germany  
 Tel.: +49 (0)30 89 00 55-0  
 Fax: +49 (0)30 89 00 55-180  
 Email: [info@laytec.de](mailto:info@laytec.de)  
 Web: [laytec.de](http://laytec.de)



Developed,  
 manufactured and  
 qualified in Germany.